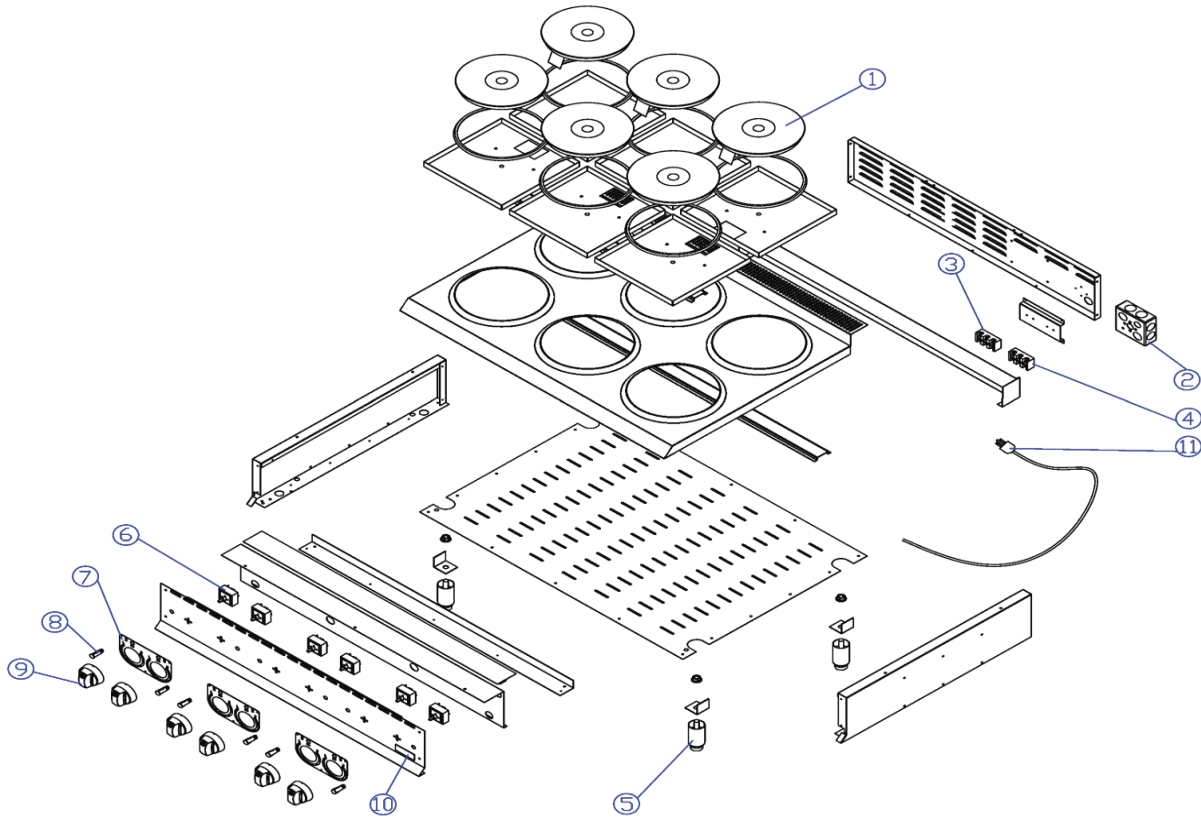


Part Breakdown

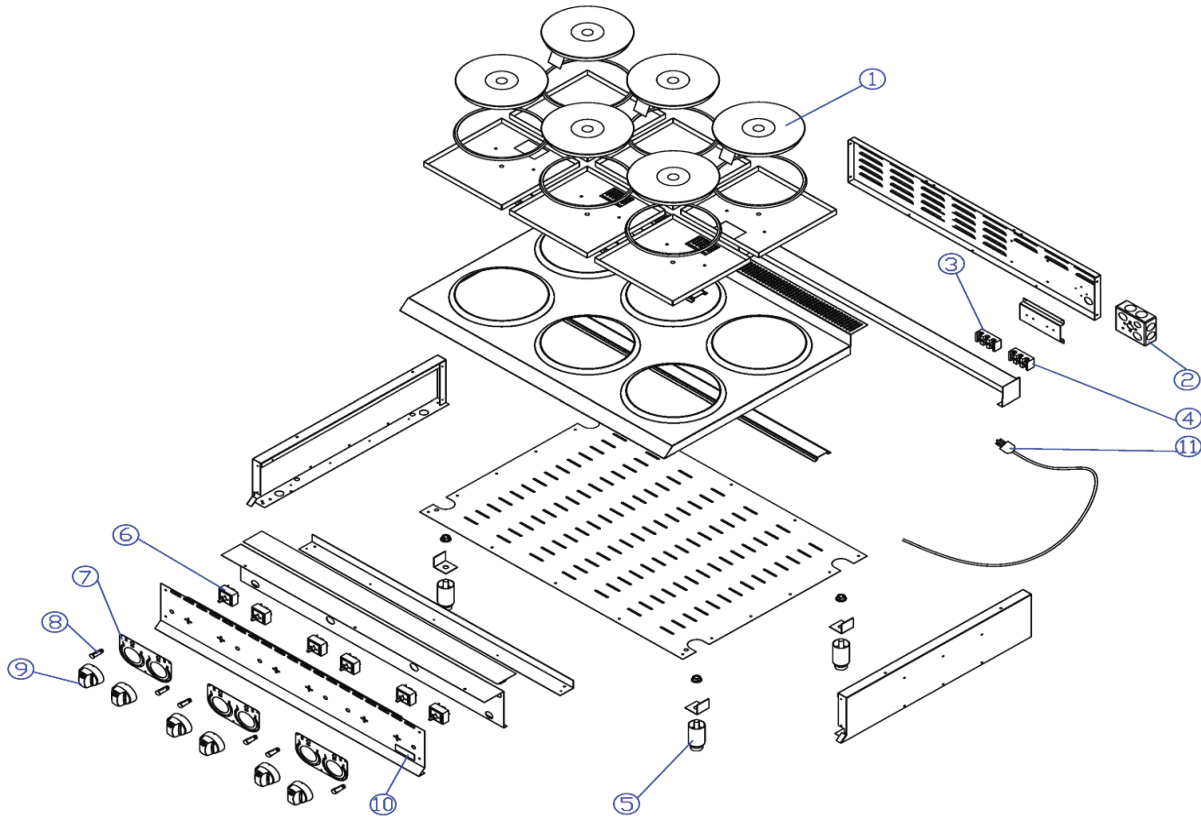
Model CE-CN-EHP24 240 49266



Item No.	Description	Position	Item No.	Description	Position
AX064	SEALED HEAT ELEMENT, 240V 2000W FOR ELECTRIC HOT PLATE	1	AT486	INFINITE SWITCH FOR ELECTRIC HOT PLATE	6
AX099	JUNCTION BOX FOR ELECTRIC HOT PLATE	2	AX102	DIAL (DUAL) FOR ELECTRIC HOT PLATE	7
AT525	TERMINAL BLOCK 2 POLES 30A FOR ELECTRIC HOT PLATE	3	AT477	INDICATOR FOR ELECTRIC HOT PLATE	8
AX100	TERMINAL BLOCK 3 POLES 45A FOR ELECTRIC HOT PLATE	4	AT489	KNOB FOR ELECTRIC HOT PLATE	9
AI752	ADJUSTABLE FEET FOR ELECTRIC HOT PLATE	5	AI766	NAMEPLATE FOR ELECTRIC HOT PLATE	10

Part Breakdown

Model CE-CN-EHP36 240 49267



Item No.	Description	Position	Item No.	Description	Position
AX064	SEALED HEAT ELEMENT, 240V 2000W FOR ELECTRIC HOT PLATE	1	AT486	INFINITE SWITCH FOR ELECTRIC HOT PLATE	6
AX099	JUNCTION BOX FOR ELECTRIC HOT PLATE	2	AX102	DIAL (DUAL) FOR ELECTRIC HOT PLATE	7
AT525	TERMINAL BLOCK 2 POLES 30A FOR ELECTRIC HOT PLATE	3	AT477	INDICATOR FOR ELECTRIC HOT PLATE	8
AX101	TERMINAL BLOCK 3 POLES 45A FOR ELECTRIC HOT PLATE	4	AT489	KNOB FOR ELECTRIC HOT PLATE	9
AI752	ADJUSTABLE FEET FOR ELECTRIC HOT PLATE	5	AI766	NAMEPLATE FOR ELECTRIC HOT PLATE	10